



THE WINTECH COLLECTION

Acoustic Pods 3.0 Plus





YOUR SPACE. YOUR CALL.

We believe that form and function should work in tandem. Aesthetic design with task-based functionality and ergonomic desks will enhance the users experience while they are working in the pods. With a wide range of colours and materials to choose from, we are confident that our acoustic pods will be a chic and beautiful addition to your office.



EXCELLENT AESTHETIC DESIGNS

Air Purifying System with HEPA Filter. The pod is well ventilated with filtered air to provide a comfortable and clean workspace to the user. Motion Sensor for Energy Saving. LED lighting and air ventilation system are activated by the motion sensor, and will be automatically turned off after 5 minutes of inactivity. Ergonomic and Exclusive Charging Ports. CE certified charging ports with AC outlet, type A / type C 65W PD and CAT6 port. Input 110-240 VAC, 10A, 50-60Hz. Acoustic Material for Sound Insulation. The speech level reduction in the pod offers private and quiet environment, to be free from disturbances. Auto Close Tempered Glass Door. The door can only be opened up to 95° to prevent collision against surroundings. Elegant Door Handle. Trendy and aesthetic designs making the pods an elegant component to the surroundings. Knockout Hole for Sprinkler. Sprinkler head can be installed based on safety requirement.



Castors for The Ease of Mobility.

*Not available on the Retreat pod Quick And Easy To Assemble. Improved design enables a quick and hassle-free installation. Touch Panel. With the latest touch panel, control and personalise your acoustic pod easily with a few taps.



HEPA FILTER



MOTION SENSOR



AC OUTLET

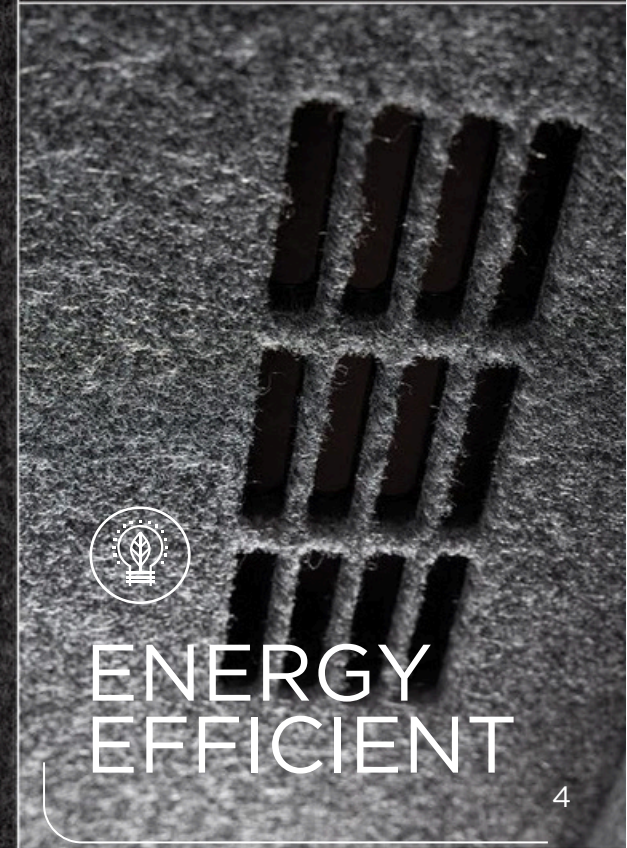
TYPE A / TYPE C



TOUCH PANEL



ELEGANT DOOR HANDLE

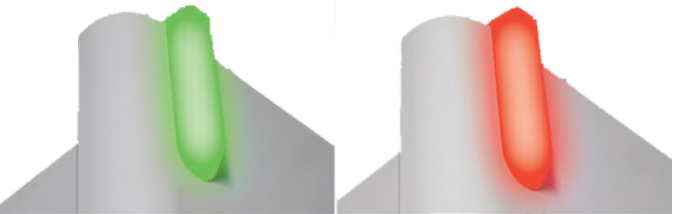


ENERGY EFFICIENT



OCCUPANCY INDICATOR

Knowing which acoustic pod is available from afar instantly, with just a glance at the occupancy indicator at the top of the pods. This is especially useful if you are looking for a pod at the last minute or need it for a quick call or discussion. You can hop right into one that is available.





HIGH ACOUSTIC RATING

RECYCLABLE & SUSTAINABLE

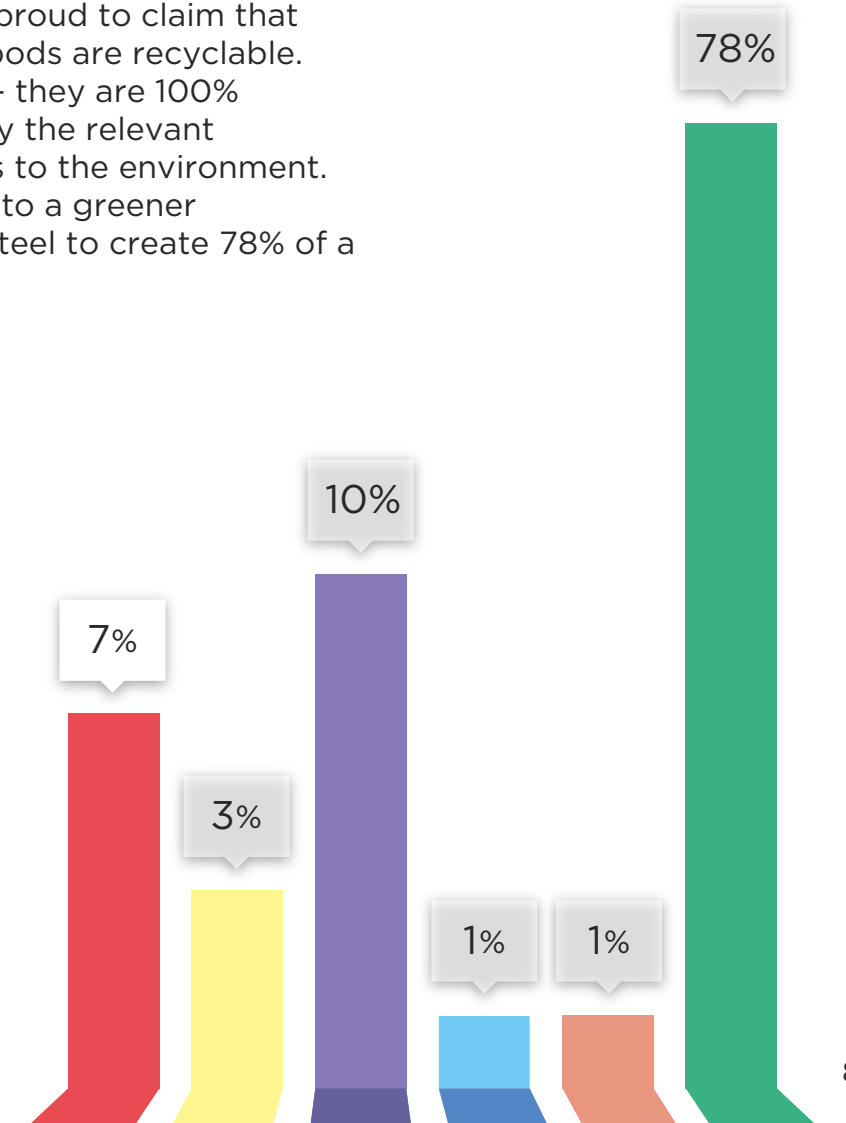
Acoustic Material: Crafted To Perfection

Sustainability is no longer an option. It is now ingrained in the way we do business. GO is proud to claim that 98% of the materials used in our pods are recyclable. Especially the acoustic materials - they are 100% polyester and have been tested by the relevant authorities, proven to be harmless to the environment. One of our notable commitments to a greener environment is using galvanised steel to create 78% of a Solo 3.0 Plus pod.



SOLO POD 3.0 PLUS

- Acoustic Material
- Aluminium
- Glass
- Wood
- Others
- Electro Galvanised Steel





DISTRACTION-FREE ZONE

We Care For Your Well-Being

GO acoustic pods are built to give you a calm, quiet space whenever you need it. With high-quality sound insulation and clear tempered glass doors, you'll enjoy privacy without feeling closed in. Escape the noise of the office without disconnecting from it. Aside from sound insulation, 3.0 Plus pods have achieved GREENGUARD Certification which is scientifically proven to meet some of the world's most rigorous third-party chemical emissions standards, helping to reduce indoor air pollution and the risk of chemical exposure. The certification can contribute to LEED credits as well.

Certified by



HIGH ACOUSTIC RATING

Ds,A - CLASS B

Based on ISO 23351-1 standard



UL GREENGUARD
CERTIFIED

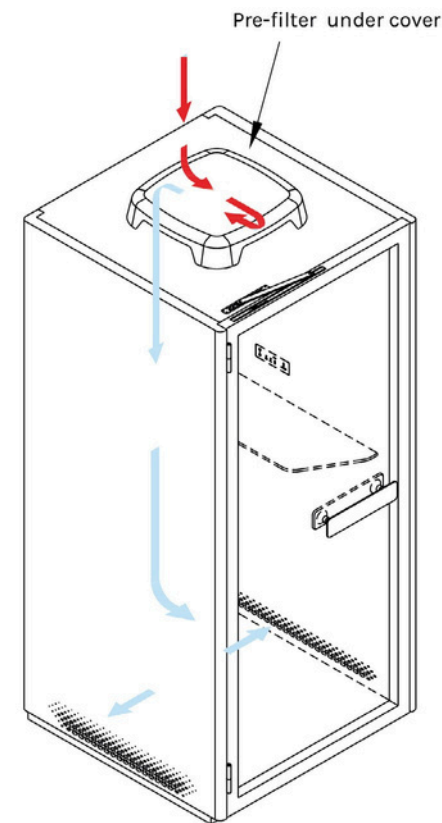


COMFORTABLE
AND
BREATHABLE



CLEANER AND HEALTHIER AIR

3.0 Plus pods are installed with a HEPA filters. It captures airborne particles and releases the cleaned air into the pod. Cleaner air reduces allergic responses. Your employees can work confidently knowing that the air quality inside the pods is cleaner and healthier.



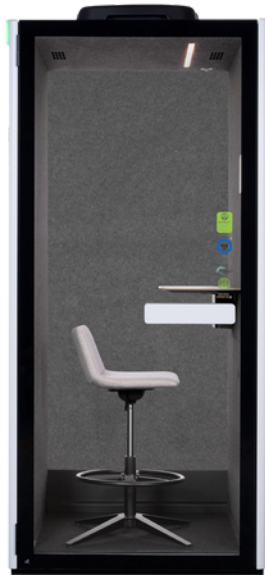
Model	Airflow (m3/h)	Air Change Per Hour (ACH)
SOLO 3.0 PLUS	152	99
FOCUS 3.0 PLUS	152	52
CONNECT 3.0 PLUS	304	63
RETREAT 3.0	912	87

*Air cleanliness by particle concentration



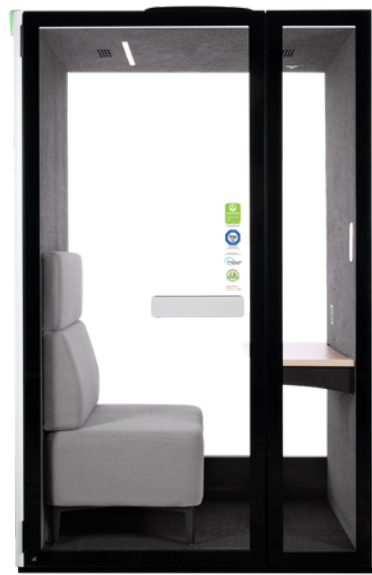
3.0 PLUS PODS

The 3.0 Plus Acoustic Pods are redefining modern workspaces across the globe. Designed for focus, comfort, and performance, these sleek pods create a serene environment that enhances productivity and well-being. Available in four versatile models, there's a perfect fit for every user. The Focus and Connect 3.0 Plus pods now feature the option of glass paneling on one or both sides, delivering a perfect balance of privacy and transparency while complementing any office aesthetic.



SOLO 3.0 PLUS

Solo 3.0 Plus is a classic pod for a single person. An individual can carry out work that requires a high level of privacy, such as signing contracts, making phone calls, and video conferences.



FOCUS 3.0 PLUS

Focus 3.0 Plus has a unique extendable desktop with multiple functions. This ergonomic feature allows you to adjust your working position while providing a storage space. This spacious pod is suitable for individuals (can fit up to 2 people) who want to work over a long period.



CONNECT 3.0 PLUS

Connect 3.0 Plus can accommodate two to four persons. The sofas come with a comfortable backrest, allowing users to carry out discussions in a relaxed manner, most importantly free of disturbances.

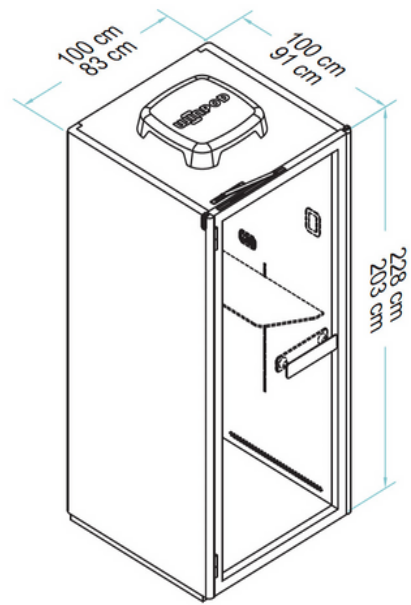


RETREAT 3.0 PLUS

Retreat 3.0 plus is designed to fit up to five people, ideally for meeting, entertainment or relaxing. The meeting table with integrated charging ports is perfect for discussion and brainstorming. Choice of L-shaped sofa offers a casual yet private moment for the group.



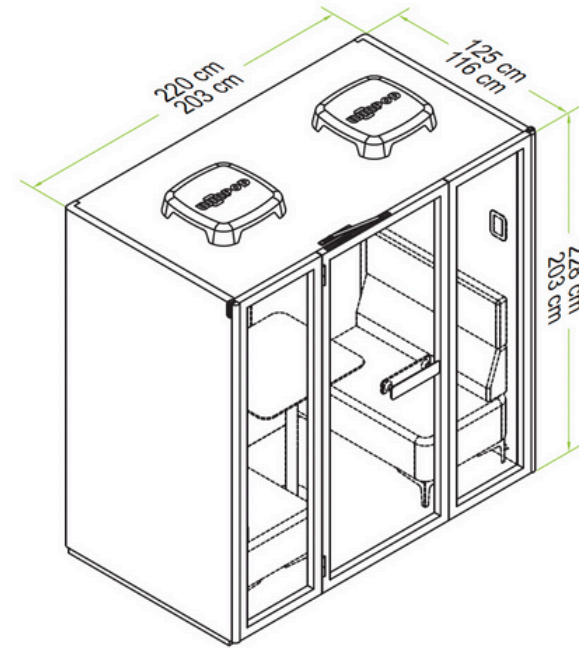
QUICK
AND
EASY TO
ASSEMBLE



SOLO 3.0 PLUS

1. Laminated desktop
2. Heavy duty castors
3. Power consumption: 0.18 A
4. Net weight: 265.55 kg

* High stool not included.



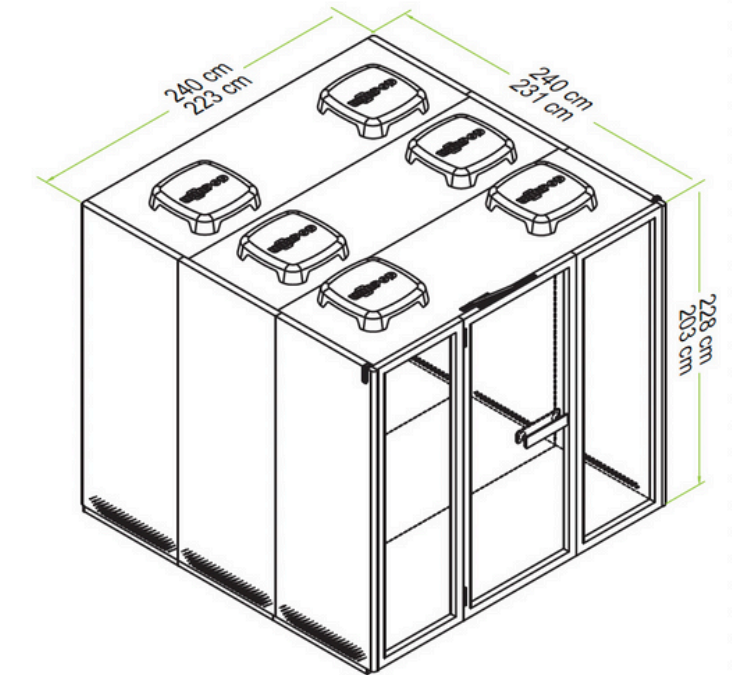
RETREAT 3.0 PLUS

1. Selections of furnishing:
 - Exclusive L-shaped sofa
 - Meeting table with integrated charging ports
 - Bare unit
2. Power consumption: 0.47 A
3. Net weight: 833 kg

*Side table and TV not included

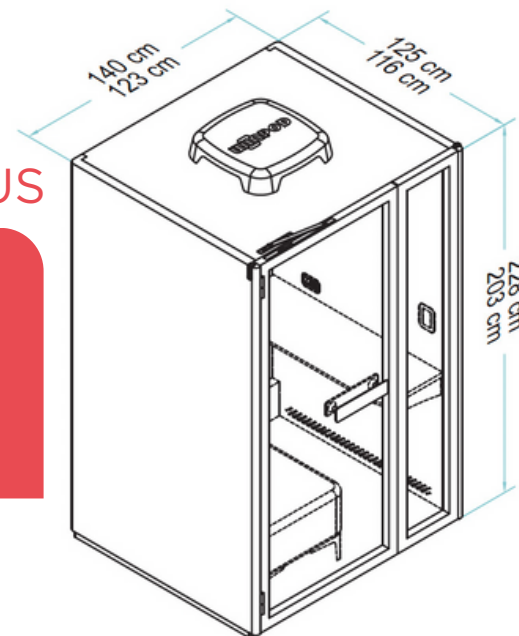
CONNECT 3.0 PLUS

1. Laminated desktop
2. Exclusive design of sofa with backrest
3. Heavy Duty Castors
4. Power consumption: 0.33 A
5. Net weight: 497.65 kg



FOCUS 3.0 PLUS

1. Extendable desktop with storage space
2. Exclusive design of sofa with backrest
3. Heavy duty castors
4. Power consumption: 0.18 A
5. Net weight: 363.7 kg

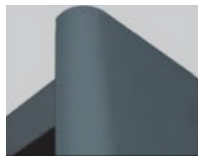




STOCKED COLOURS.

EXTERIOR

COLOUR SELECTION



Space Grey



Smoke White

INTERIOR

ACOUSTIC SHEET COLOUR



Dark Grey

SOFA

FABRIC COLOUR SELECTION

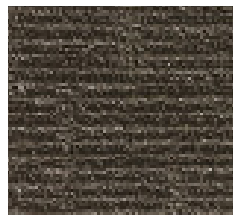


Seat Base Colour -
1006 Dark Grey



Seat Back colour -
1007 Grey

CARPET COLOUR

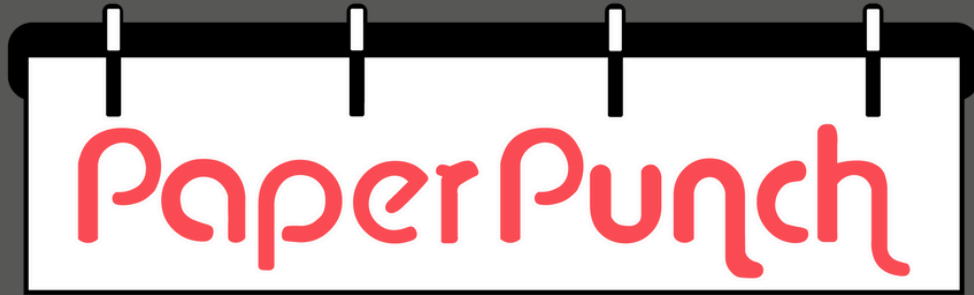


Black

*Display colours may slightly vary from the actual colours.

OTHER COLOUR OPTIONS ARE AVAILABLE SUBJECT TO LEAD TIMES.





office supplies



THE WINTECH COLLECTION

CONTACT



Call 01-839 2232

Email sales@paperpunch.ie

www.paperpunch.ie



PLEASE SCAN

